

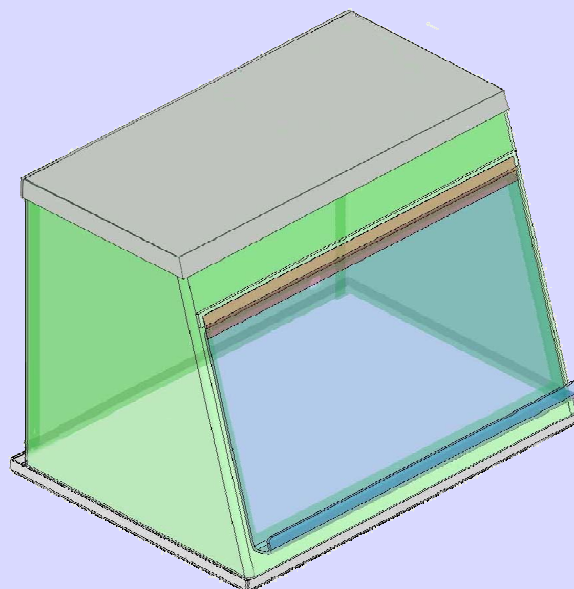
**Protégez, efficacement, vos échantillons
des contaminations ambiantes**

Made in
France

Protection Hood

« **Protec-Sample®** »

- ▶ **Protection for autosampler**
- ▶ **Fit all autosamplers**
- ▶ **Standard sizes or following your request**



Economical protection Hood

Traces and ultra-traces determination on AAS, ICP, ICP-MS, demand more and more sample protection to avoid contamination from ambient air, along sample introduction. To answer the customer needs and thanks to our skill, in digestion and sample introduction in ICP and AAS, we have design a protection hood economical concept.

On that table top laboratory transparent parts are built in PET-G for an exceptional brightness with warranty of chemical resistant to acid vapors and other solvents. The door open at 180° allow an easy access to the chamber. The bottom plate and the top are made of Kydex® resistant and easy to swipe.

Taylor made dimension.

Side to standards models fitting all different autosamplers from market, we purpose to built on you dimensions for a competitive price. Our design concept allow us to built taylor made hood up to PxLxH 63,0 X 89,5 X 83,5 cm at price close to the standard. Feel free to request!.

**Courtage Analyses Services 14 rue des Mouettes 76130 Mont Saint Aignan France
Tel +33 2 35 07 60 00 Fax +33 2 35 70 64 39 email info@onlinecas.com**

www.onlinecas.com